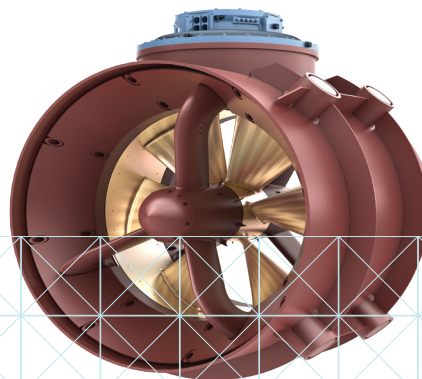


# TUNNEL THRUSTER, TYPE TT

## MAINTENANCE TRAINING



KONGSBERG



## COURSE DESCRIPTION

### LEARNING OBJECTIVES

After completing the course, the participants should be able to identify and define the design and functionality of tunnel thrusters type TT in order to utilise the system to an optimum.

The participants will be introduced to a detailed programme for preventive maintenance to promote reliable and efficient operation of the equipment.

### TARGET GROUP

Technical and maintenance personnel working on board.

### ENTRY REQUIREMENTS

No special requirements.

### CONTENT

#### System description

General description of the Tunnel Thruster systems including application and installation of the delivered propulsion unit; system design, functionality, operation and emergency procedures.

#### System operation

Overview of the Tunnel Thrusters systems including reliable operation and long life of the equipment. The instruction will focus on and improve understanding and promote best practice related to hydraulic system design, functionality, oil types, sampling routines and system operation.

The participants will receive instruction in the basic principles of remote control before focusing on specific functions related to the delivered control system that include basic theory, system layout and components, external interfaces, propeller control functions (e.g. pitch control) and load control.

### Practical training exercises on how to:

- Perform maintenance and service
- Fault finding
- Troubleshoot

### Maintenance

- Daily, weekly and monthly on board maintenance
- Utilising test equipment and proper tools
- Spares

### LEARNING PROCESS

A combination of theoretical lessons and practical exercises.

DURATION, 7-14 hours (1-2 days)

NO. OF PARTICIPANTS, Maximum 8.

### LANGUAGE

English if not otherwise agreed.

### CERTIFICATE

Certification of attendance will be issued on completion of the course.

### LOCATION

- Training centre Aalesund, Norway

## BOOKING & INFORMATION

[www.km.kongsberg.com/training](http://www.km.kongsberg.com/training)

## TERMS & CONDITIONS

All training to be provided by KONGSBERG is subject to customer's acceptance of the KONGSBERG Terms & Conditions for Training.